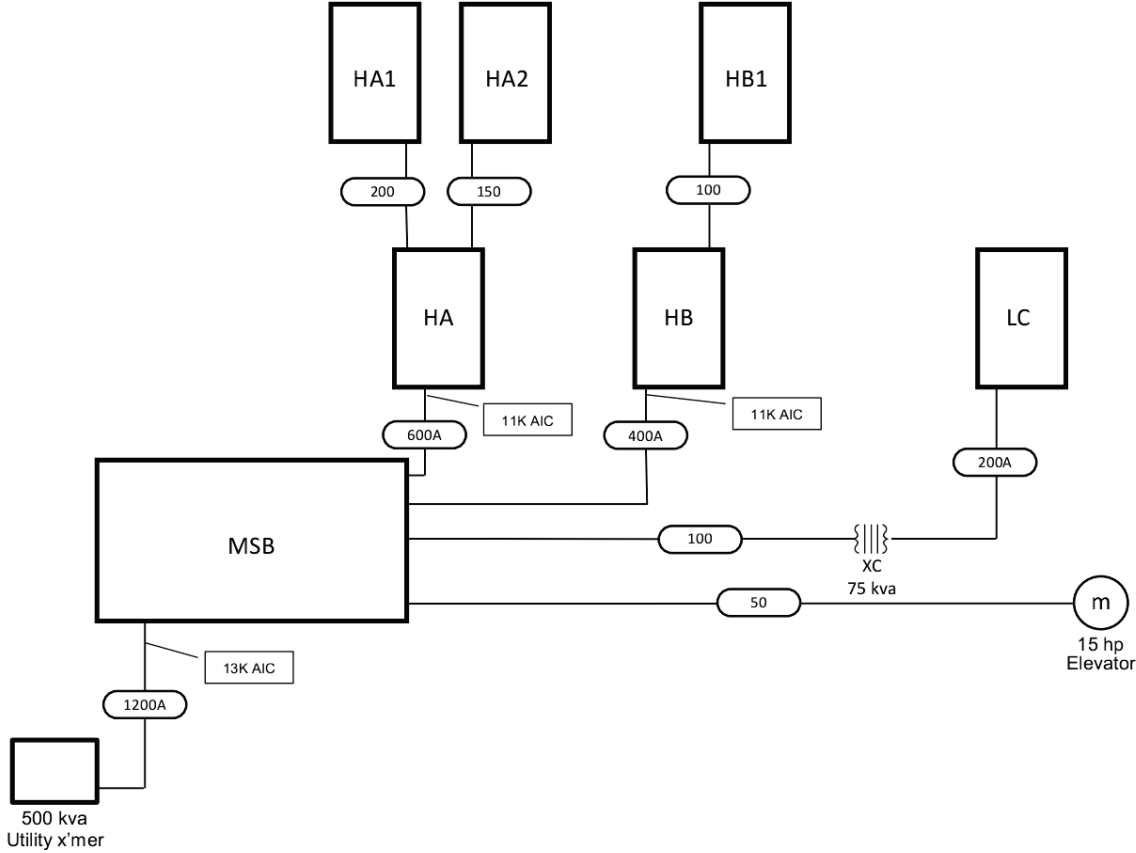


One Line Diagram



Conductor Schedule		
Conductor Designator	# Parallel Runs	Awg./Conductor type
1200A	4	500 kcmil Al.
600A	3	250 kcmil Al.
400A	2	250 kcmil Al.
200	1	3/0 Cu.
200A	1	250 kcmil Al.
150	1	1/0 Cu.
100	1	3 Cu.
50	1	8 Cu.