

## Customer Requirements Installation of Street Lights with Underground Supply

**C-UG-9000**

### Scope

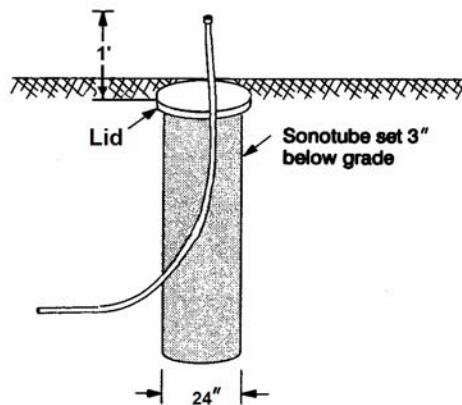
This standard covers the installation of street light poles supplied by underground circuits with Sonotubes<sup>®</sup>.

### Installing Sonotubes<sup>®</sup>

Sonotubes<sup>®</sup> are rigid tubes made of plastic used to provide a hole for setting the street light pole at a future date. Supply 24 in. diameter Sonotubes<sup>®</sup> cut to length so that the top of the installed tube is 3 in. below final grade. Follow these steps to install Sonotubes<sup>®</sup>:

Step	Done By	Action
1	Developer or Tacoma Power	Supply and install the Sonotube <sup>®</sup> into the hole where the street light will be located. Ensure Sonotube <sup>®</sup> is vertically plumb. The top of the installed tube should be 3 in. below final grade.
2	Developer or Tacoma Power	<b><i>Important: Secure the Sonotube<sup>®</sup> by attaching a lid over the opening. Fasten with wide-thread screws.</i></b>
3	Tacoma Power	Sweep the conduit from the trench bottom up and along side the Sonotube <sup>®</sup> to 1 ft above the top of the Sonotube <sup>®</sup> . Tape the conduit to the Sonotube <sup>®</sup> and seal the conduit with a conduit cap. Firmly support the conduit with backfill.

Figure 1



Pole Length	Set Depth
30'	5' 6"
35'	5' 6"
40'	6' 0"
45'	6' 6"

The 35' pole is most commonly used at Tacoma Power for street lights.

**Customer Requirements**  
**Installation of Street Lights**  
**with Underground Supply**

**C-UG-9000**

**Setting a Street Light Pole in a Sonotube®**

Tacoma Power will follow these steps to set the street light pole into the Sonotube®.

Step	Action
1	If necessary, backfill the bottom of the Sonotube® with pea gravel so that the ground line on the installed pole will be 3 in. above the top of the Sonotube® and at grade.
2	Slowly lower the pole into the Sonotube® so it is as close to the conduit as possible.
3	Backfill the Sonotube® with pea gravel.
4	Extend conduit up the pole and complete the wiring of the street light circuit. Return Sonotube® lid back to stock.

**Figure 2** Using a Sonotube® for street light installation

